

Optronis

Make time visible

CamRecord

CR450x2



HIGH-SPEED VIDEO CAMERA

**Compact and light sensitive
High-Speed camera with 1000 fps**

- > **1000 fps (images/second)**
- > **Very compact housing**
- > **Very high light sensitivity**
- > **Resolution 800 x 600 pixels**
- > **Gigabit Ethernet Interface**
- > **Monochrome / Color**
- > **Up to 16 GB internal memory**
- > **User friendly software**

CamRecord CR450x2

Insight allows understanding.

Performance

Framerate / second (maximum)	Resolution (H x V)	Recording Time (16 GB, max. Framerate)
1 000 fps	800 x 600	32 sec
2 000 fps	600 x 400	32 sec

Model Overview

CR450x2 /options	Description
/1GB /2GB /4GB /8GB or /16GB	Memory size in GB
/M or /C	Monochrome or color sensor
/FM or /CM	Nikon F-Mount or C-Mount

Optional Accessories

LabView driver (Part number CR-LabView)

Software development kit (Part number CR-SDK)

Lenses, lights, tripod, trigger switches and more accessories on request.

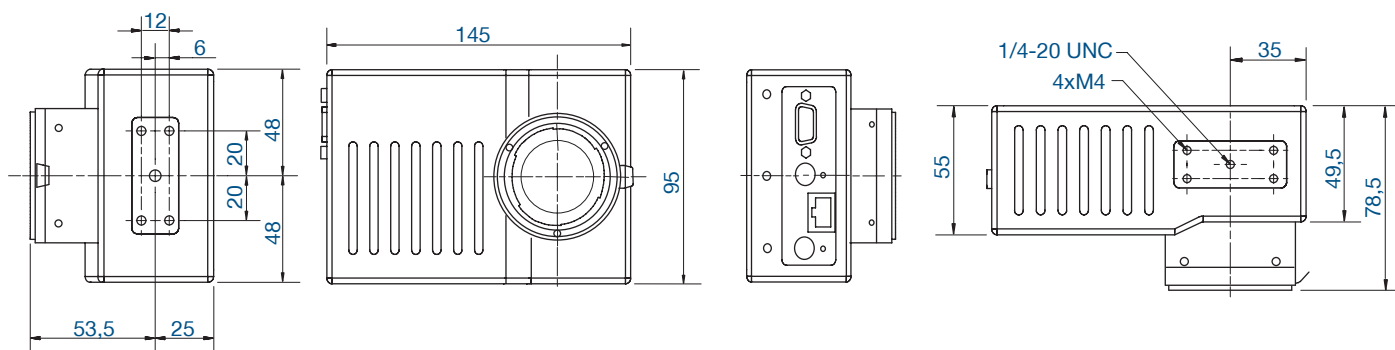
Connector Pin Assignment

4-pin LEMO FGG0B304CLAD52Z

Pin 1	Sync IN	Pin 3	GND
Pin 2	Trig IN	Pin 4	Sync OUT

Specifications

Resolution	800 x 600 pixel
Frame Rate @ Max. Resolution	1000 fps
Image Sensor	Progressive Scan CMOS
Exposure Time	1 μ s - 1/Framerate
Active Area	11,2 mm x 8,4 mm
Sensor Diagonal Dimension	14,0 mm
Pixel Size	14 μ m x 14 μ m
A/D Conversion	8 Bit
Dynamic	48 dB
Sensitivity	25 V/lux*s
Shutter	global electronic, >1 μ s exposure time
Trigger Signal	TTL, switch, open collector, rising or falling edge, on image content variation
Synchronization	internal, external
Interface	Gigabit Ethernet
Video Output	VGA
Power	12 VDC / 12 W
Lens Mount	Nikon F-Mount (optional C-Mount)
Weight	1050 g
Operating Temperature	0 .. 40°C
Humidity	< 80 % relative, non-condensed
Dimensions	145 mm x 95 mm x 78,5 mm
Conformity	CE, RoHS
Scope of delivery	Camera CR450x2, 5 m GigE cable, power supply, manual, trigger cable and TimeBench software for Windows XP, Vista and Windows 7.



The information given herein is believed to be reliable, however Optronis makes no warranties as to its accuracy or completeness. Data sheet is subject to modifications at any time. 07/2010