

# Optronis

*Make time visible*

## CamRecord

### CR5000x2



## HIGH-SPEED VIDEO CAMERA

**Compact and light sensitive  
High-Speed camera with 5000 fps**

- > **5000 fps (images/second)**
- > **Very compact housing**
- > **Very high light sensitivity**
- > **Resolution 512 x 512 pixels**
- > **Gigabit Ethernet Interface**
- > **Monochrome and color sensor**
- > **Up to 16 GB internal memory**
- > **User friendly software**

# CamRecord CR5000x2

To capture movement does not mean to lose dynamics.

## Performance (Examples)

Framerate / second (maximum)	Resolution (H x V)	Recording Time (16 GB, max. Framerate)
5 000 fps	512 x 512	12,8 sec
10 000 fps	256 x 256	25,6 sec
20 000 fps	128 x 128	51,2 sec
40 000 fps	64 x 64	102,4 sec
600 000 fps Max. Speed	512 x 4	12,8 sec
UltraSpeed	see Model Overview	

## Model Overview

CR5000x2 /options	Description
/2GB /4GB /8GB or /16GB	Memory size in GB
/M or /C	Monochrome or color sensor
/FM or /CM	Nikon F-Mount or C-Mount
/US	UltraSpeed (Framerate up to x2 depending on Exposure Time, only for Monochrome Sensor)

## Optional Accessories

LabView driver (Part number CR-LabView)

Software development kit (Part number CR-SDK)

Lenses, lights, tripod, trigger switches and more accessories on request.

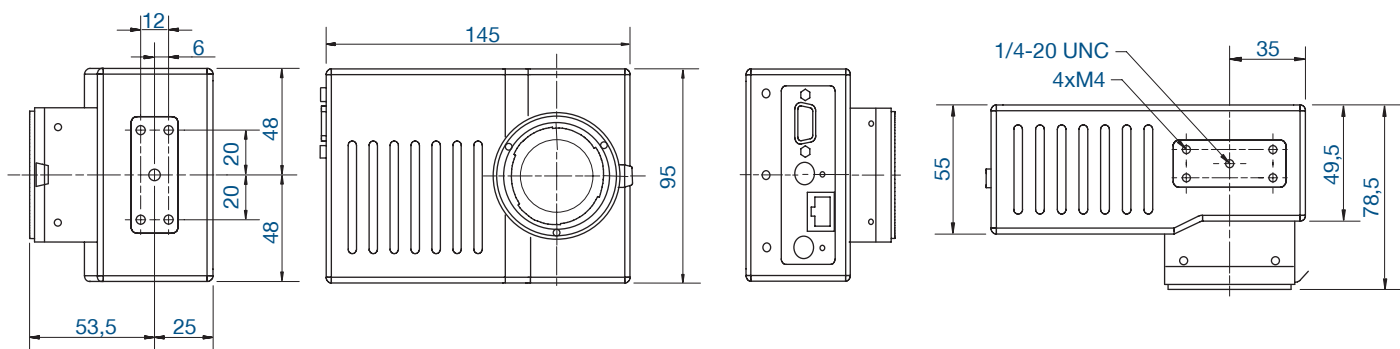
## Connector Pin Assignment

4-pin LEMO FGG0B304CLAD5Z2

Pin 1	Sync IN	Pin 3	GND
Pin 2	Trig IN	Pin 4	Sync OUT

## Specifications

Resolution	512 x 512 pixel
Frame Rate @ Max. Res.	5000 fps
Image Sensor	Progressive Scan CMOS
Exposure Time	1 $\mu$ s - 1/Framerate
Active Area	8.19 mm x 8.19 mm
Sensor Diagonal Dimension	11,58 mm
Pixel Size	16 $\mu$ m x 16 $\mu$ m
A/D Conversion	8 Bit
Dynamic	48 dB (typ.)
Sensitivity	9 V/lux*s @ 550 nm
Shutter Efficiency	global electronic shutter, min. 1 $\mu$ s exposure time / > 99.9 %
Trigger Signal	TTL, switch, open collector, rising or falling edge, on image content variation
Synchronization	internal, external
Interface	Gigabit Ethernet
Video Output	VGA
Power	12 VDC / 12 W
Lens Mount	Nikon F-Mount (optional C-Mount)
Weight	1050 g
Operating Temperature	0 .. 40°C
Humidity	< 80 % relative, non-condensed
Dimensions	145 mm x 95 mm x 78,5 mm
Conformity	CE, RoHS
Scope of delivery	Camera CR5000x2, 5 m GigE cable, power supply, manual, trigger cable and TimeBench software for Windows XP, Vista and Windows 7



The information given herein is believed to be reliable, however Optronis makes no warranties as to its accuracy or completeness. Data sheet is subject to modifications at any time. 07/2010

**Optronis**

Make time visible

**Optronis GmbH**

Honsellstr. 8  
77694 Kehl, Germany

Telefon +49 (0) 7851 / 9126-0  
Telefax +49 (0) 7851 / 9126-10

E-Mail: info@optronis.com  
www.optronis.com